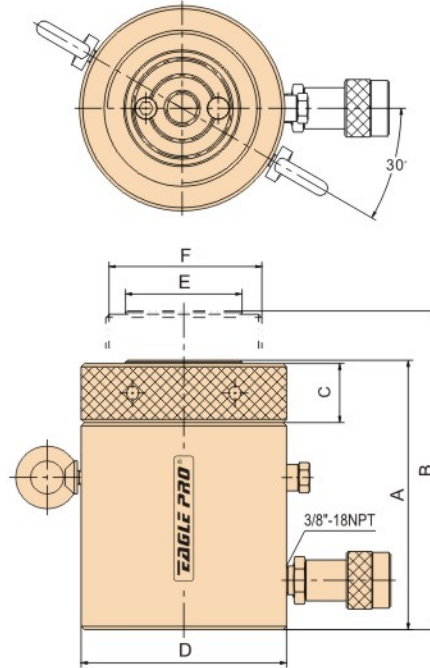




EL-1502, EL-1506



EL-SERIES SINGLE ACTING, LOCK NUT CYLINDERS

Features

- ◆ Safety Lock Nut for mechanical load holding.
- ◆ High flow EAB-201 quick coupler.
- ◆ Overflow port functions as a stroke limiter.
- ◆ Environmentally friendly painting process provides a durable corrosion resistant finish.

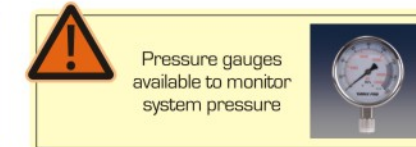
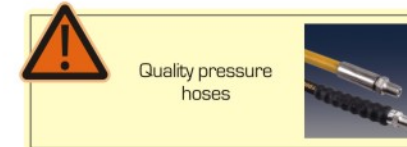


400 ton EAGLE PRO EL series hydraulic cylinders used in bridge building

Optional Tilt Saddle

For use with Cylinder Capacity Metric Ton (US Ton)	Tilt Saddle Model	For use with Cylinder Capacity Metric Ton (US Ton)	Tilt Saddle Model
50 (55)	ST-100	400 (440)	ST-400
100 (105)	ST-100	500 (550)	ST-500
150 (154)	ST-200	600 (660)	ST-600
200 (207)	ST-200	800 (880)	ST-800
250 (275)	ST-250	1000 (1100)	ST-1000
300 (330)	ST-300		

Note: for more information please see the page 56



Cylinder Capacity @ 700 Bar (10,000 PSI) Metric Ton(US Ton)	Stroke in	Model	Cylinder Effective Area	Oil Capacity	Collapsed Height	Extended Height	Lock Nut height	Outside Diameter	Saddle diam.	Piston Diam	Weight lbs
			Advance in ²	Advance in ³	A in	B in	C in	D in	E in	F mm	
50 (55)	1.97	EL-502	10.99	21.62	6.45	8.41	1.41	4.91	2.79	Tr 95 × 4	33
	3.93	EL-504	10.99	43.25	8.41	12.34	1.41	4.91	2.79	Tr 95 × 4	44
	5.90	EL-506	10.99	64.87	10.38	16.27	1.41	4.91	2.79	Tr 95 × 4	55
	7.86	EL-508	10.99	86.50	12.34	20.20	1.41	4.91	2.79	Tr 95 × 4	66
	9.83	EL-5010	10.99	108.12	14.31	24.13	1.41	4.91	2.79	Tr 95 × 4	77
100 (105)	11.79	EL-5012	10.99	129.75	16.27	28.06	1.41	4.91	2.79	Tr 95 × 4	88
	1.97	EL-1002	20.57	40.47	7.35	9.31	1.73	6.48	2.79	Tr 130 × 6	66
	3.93	EL-1004	20.57	80.95	9.31	13.24	1.73	6.48	2.79	Tr 130 × 6	85.8
	5.90	EL-1006	20.57	121.42	11.28	17.17	1.73	6.48	2.79	Tr 130 × 6	105.6
	7.86	EL-1008	20.57	161.89	13.24	21.10	1.73	6.48	2.79	Tr 130 × 6	123.2
150 (154)	9.83	EL-10010	20.57	202.37	15.21	25.03	1.73	6.48	2.79	Tr 130 × 6	140.8
	11.79	EL-10012	20.57	242.84	17.17	28.96	1.73	6.48	2.79	Tr 130 × 6	160.6
	1.97	EL-1502	31.17	61.34	8.21	10.18	1.73	8.10	5.11	Tr 160 × 6	116.6
	3.93	EL-1504	31.17	122.67	10.18	14.11	1.73	8.10	5.11	Tr 160 × 6	145.2
	5.90	EL-1506	31.17	184.01	12.14	18.04	1.73	8.10	5.11	Tr 160 × 6	171.6
200 (207)	7.86	EL-1508	31.17	245.34	14.11	21.97	1.73	8.10	5.11	Tr 160 × 6	202.4
	9.83	EL-15010	31.17	306.68	16.07	25.90	1.73	8.10	5.11	Tr 160 × 6	228.8
	11.79	EL-15012	31.17	368.01	18.04	29.83	1.73	8.10	5.11	Tr 160 × 6	257.4
250 (275)	1.97	EL-2002	41.66	81.98	9.55	11.51	1.97	9.27	5.11	Tr 185 × 6	182.6
	5.90	EL-2006	41.66	245.95	13.48	19.37	1.97	9.27	5.11	Tr 185 × 6	259.6
	9.83	EL-20010	41.66	409.92	17.41	27.23	1.97	9.27	5.11	Tr 185 × 6	336.6
300 (330)	1.97	EL-2502	56.28	110.75	9.79	11.75	2.2	10.81	5.9	Tr 215 × 6	255.2
	5.90	EL-2506	56.28	332.24	13.72	19.61	2.2	10.81	5.9	Tr 215 × 6	358.6
	9.83	EL-25010	56.28	553.73	17.65	27.47	2.2	10.81	5.9	Tr 215 × 6	462
400 (440)	1.97	EL-3002	70.12	137.98	11.59	13.56	2.36	12.18	5.46	Tr 240 × 6	380.6
	5.90	EL-3006	70.12	413.95	15.52	21.42	2.36	12.18	5.46	Tr 240 × 6	512.6
	9.83	EL-30010	70.12	689.91	19.45	29.28	2.36	12.18	5.46	Tr 240 × 6	644.6
500 (550)	1.97	EL-4002	85.48	168.21	13.17	15.13	2.75	13.76	6.25	Tr 265 × 6	552.2
	5.90	EL-4006	85.48	504.62	17.10	22.99	2.75	13.76	6.25	Tr 265 × 6	719.4
	9.83	EL-40010	85.48	841.04	21.03	30.85	2.75	13.76	6.25	Tr 265 × 6	886.6
600 (660)	1.97	EL-5002	113.18	222.71	14.74	16.70	3.14	15.72	7.03	Tr 305 × 6	807.4
	5.90	EL-5006	113.18	668.13	18.67	24.56	3.14	15.72	7.03	Tr 305 × 6	1027.4
	9.83	EL-50010	113.18	1113.56	22.60	32.42	3.14	15.72	7.03	Tr 305 × 6	1249.6
800 (880)	1.97	EL-6002	132.51	260.74	15.52	17.49	3.34	16.90	7.62	Tr 330 × 6	983.4
	5.90	EL-6006	132.51	782.23	19.45	25.35	3.34	16.90	7.62	Tr 330 × 6	1238.6
	9.83	EL-60010	132.51	1303.72	23.38	33.21	3.34	16.90	7.62	Tr 330 × 6	1496
1000 (1100)	1.97	EL-8002	180.36	354.90	17.88	19.85	3.93	19.85	8.8	Tr 385 × 6	1564.2
	5.90	EL-8006	180.36	1064.69	21.81	27.71	3.93	19.85	8.8	Tr 385 × 6	1916.2
	9.83	EL-80010	180.36	1774.49	25.74	35.57	3.93	19.85	8.8	Tr 385 × 6	2268.2
1000 (1100)	1.97	EL-10002	224.98	442.71	19.45	21.42	4.32	22.01	9.79	Tr 430 × 6	2092.2
	5.90	EL-10006	224.98	1328.12	23.38	29.28	4.32	22.01	9.79	Tr 430 × 6	2514.6
	9.83	EL-100010	224.98	2213.54	27.31	37.14	4.32	22.01	9.79	Tr 430 × 6	2937