



Shown from left to right:
ED-506, ED-7513

ED-SERIES DOUBLE ACTING, CYLINDERS

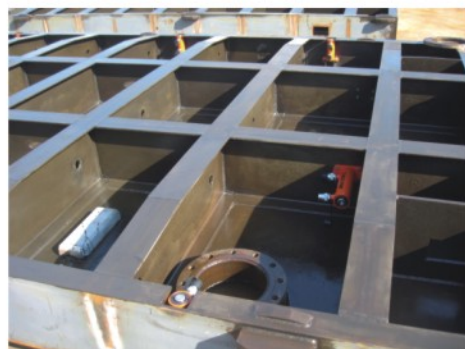
Features

- ◆ Complies with ASME B30.1. High strength steel for durability and increased safety.
- ◆ Double acting operation for fast piston retraction.
- ◆ Built-in safety valve prevents accidental over-pressurization.
- ◆ High quality EAB-201 quick couplers.
- ◆ Collar and piston threads for easy fixturing.
- ◆ Environmentally friendly painting process provides a durable corrosion resistant finish.

Optional Tilt Saddle

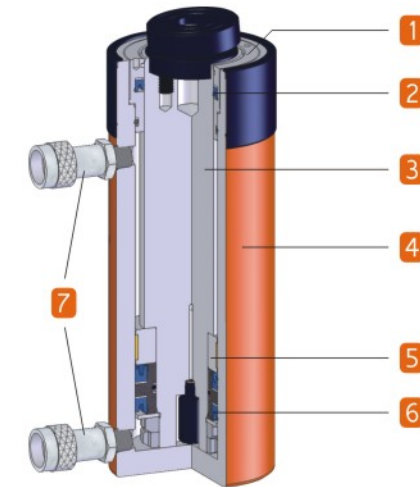
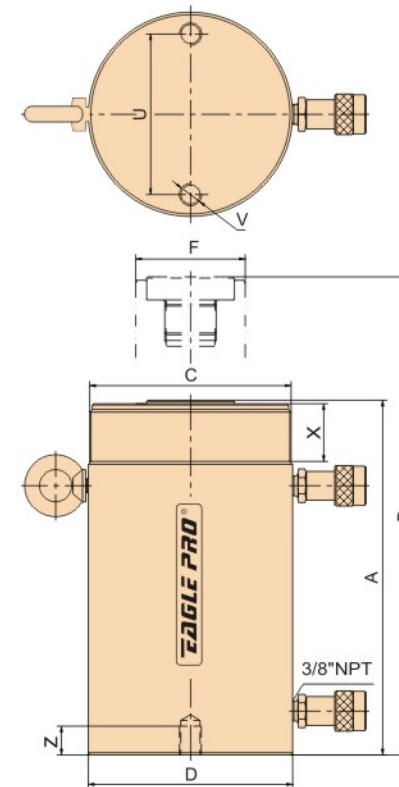
Cylinder Model	Tilt Saddle Model
ED-308, 3014	ST-50
ED-506, 5013, 5020, 756, 7513	ST-100

Note: for more information please see the page 56



56 ED-308 used in a power generation plant

Cylinder Capacity @ 700 Bar (10,000 PSI) Metric Ton (US Ton)	Stroke in	Model	Max - Cylinder Capacity		Cylinder Effective Area	
			Push ton	Pull ton	Push in ²	Pull in ²
10 (11)	10.00	ED-1010	10.1	3.4	2.25	0.76
	12.01	ED-1012	10.1	3.4	2.25	0.76
30 (33)	8.23	ED-308	29.3	5.6	6.49	2.81
	14.49	ED-3014	29.3	5.6	6.49	2.81
50 (55)	6.14	ED-506	49.6	14.4	10.99	3.19
	13.15	ED-5013	49.6	14.4	10.99	3.19
	20.12	ED-5020	49.6	14.4	10.99	3.19
75 (82.5)	6.14	ED-756	72.7	23.1	16.10	5.12
	13.11	ED-7513	72.7	23.1	16.10	5.12
95 (104.5)	6.61	ED-1006	92.9	43.3	20.62	9.59
	13.11	ED-10013	92.9	43.3	20.62	9.59
	18.11	ED-10018	92.9	43.3	20.62	9.59
140 (154)	2.24	ED-1502	140.7	68.0	31.16	15.07
	6.14	ED-1506	140.7	68.0	31.16	15.07
200 (220)	13.11	ED-15013	140.7	68.0	31.16	15.07
	5.98	ED-2006	198.4	98.2	43.94	21.76
300 (330)	12.99	ED-20013	198.4	98.2	43.94	21.76
	6.02	ED-3006	316.5	167.0	70.12	36.98



1. Steel guide ring eliminates over travel, and also provides additional support to reduce wear from off center loads.
2. Industrial seal ring assembly prevent costly leaks.
3. Hardened and chromed piston increase durability and reduces wear.
4. All steel body with baked enamel finish for durability.
5. Industrial bearing ring provides additional support to reduce wear from off center loads.
6. Industrial seal ring assembly prevent costly leaks.
7. Standard coupler on all cylinders provided with heavy duty dust cover.

Oil Capacity Push in ³	Oil Capacity Pull in ³	Coll.Height A in	Ext.Height B in	Collar thread C(UN)	Collar thread length X in	Outside Diameter D in	Piston Rod Diameter F in	Base Fix Holes			Weight lbs	Model
								Diameter U in	Thread V UNC	Depth Z in		
22.47	7.59	16.10	26.10	2 1/4"-14	1.02	2.87	1.38	-	-	-	26.4	ED-1010
26.98	9.12	17.99	30.00	2 1/4"-14	1.02	2.87	1.38	-	-	-	30.8	ED-1012
53.42	23.08	15.24	23.46	3 5/16"-12	1.93	4.13	2.17	-	-	-	44	ED-308
94.06	40.63	21.61	36.10	3 5/16"-12	1.93	4.13	2.17	-	-	-	68.2	ED-3014
67.47	19.60	13.03	19.17	5"-12	1.73	5.00	3.15	-	-	-	66	ED-506
144.45	41.97	20.04	33.19	5"-12	1.73	5.00	3.15	-	-	-	114.4	ED-5013
221.00	64.21	28.86	48.98	5"-12	1.73	5.18	3.15	2.99	1/2" -13UNC	0.98	154	ED-5020
98.87	31.40	13.66	19.80	5 3/4"-12	1.50	5.75	3.74	-	-	-	90.2	ED-756
211.05	67.03	20.67	33.78	5 3/4"-12	1.50	5.75	3.74	-	-	-	149.6	ED-7513
136.30	63.44	14.06	20.67	6 7/8"-12	1.97	6.97	3.74	5.47	3/4" -10UNC	0.98	134.2	ED-1006
270.16	125.74	20.63	33.74	6 7/8"-12	1.97	6.97	3.74	5.47	3/4" -10UNC	0.98	204.6	ED-10013
373.20	173.69	27.05	45.16	6 7/8"-12	1.97	6.97	3.74	5.47	3/4" -10UNC	0.98	257.4	ED-10018
69.89	33.80	7.72	9.96	-	-	8.03	4.53	-	-	-	107.8	ED-1502
191.27	92.50	15.16	21.30	8"-12	2.17	8.03	4.53	6.22	3/4" -16UNC	1.10	204.6	ED-1506
408.29	197.44	22.91	36.02	8"-12	2.17	8.03	4.53	6.22	3/4" -16UNC	1.10	272.8	ED-15013
262.86	130.18	16.93	22.91	-	-	9.78	5.31	5.00	1" -8UNC	0.98	323.4	ED-2006
570.69	282.63	23.94	36.93	9 3/4"-12	2.13	9.78	5.31	5.00	1" -8UNC	0.98	437.8	ED-20013
422.22	222.69	19.09	25.12	12 1/4"-12	2.28	12.28	6.50	6.22	1 1/4" -7UNC	1.73	440	ED-3006