

MODEL RC-1542* FOR 3" - 4" PIPE

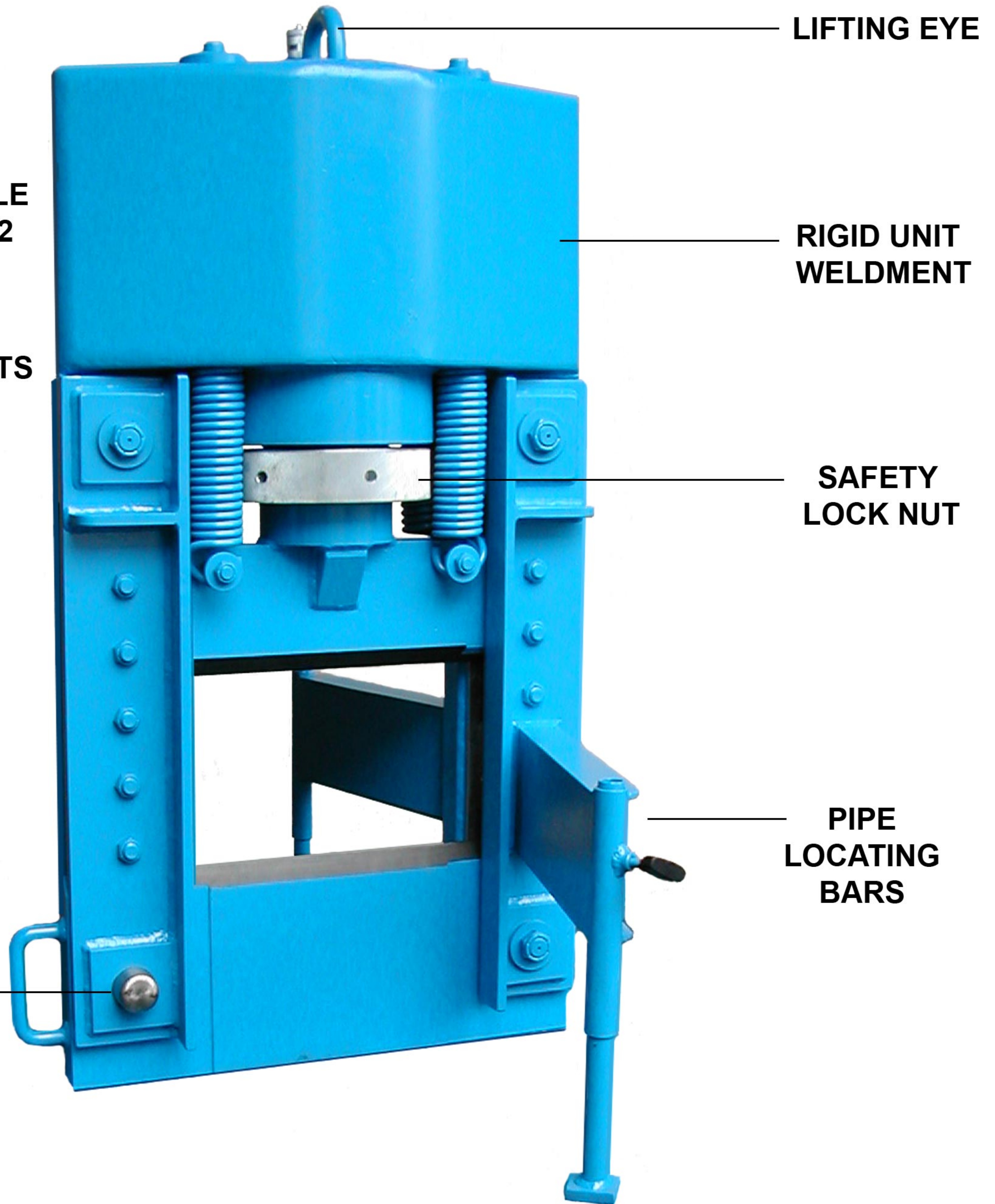
MODEL RC-1516 FOR 6" - 8" PIPE

MODEL RC-15168 FOR 6" - 12" PIPE

*SUPPLIED WITH RE-OPENING JAWS

CARRYING CASE AVAILABLE SEPERATELY FOR RC-1542

PUMPS AVAILABLE SEPERATELY FOR ALL UNITS



SAFETY LOCKING PIN

LIFTING EYE

RIGID UNIT WELDMENT

SAFETY LOCK NUT

PIPE LOCATING BARS

Model	Capacity (Pipe Size)	Maximum Opening	Stroke	Capacity	Operating Pressure	Clearance	Height	Width	Weight
RC-1542	2" - 4"	5"	5-1/8"	50 Tons	9100 psi	12-1/4"	28"	12"	180 lbs
RC-1516	6" - 8"	9-1/2"	8-7/8"	150 Tons	7300 psi	15"	40"	26"	820 lbs
RC-15168	6" - 12"	13-1/8"	13"	200 Tons	6300 psi	13"	68"	38"	2000 lbs



#1-7399 River Road
Delta, BC, Canada
V4G 1B2
Ph: 604-940-8865
Fax: 604-940-8802

www.hyseco.com